

214A-C-4

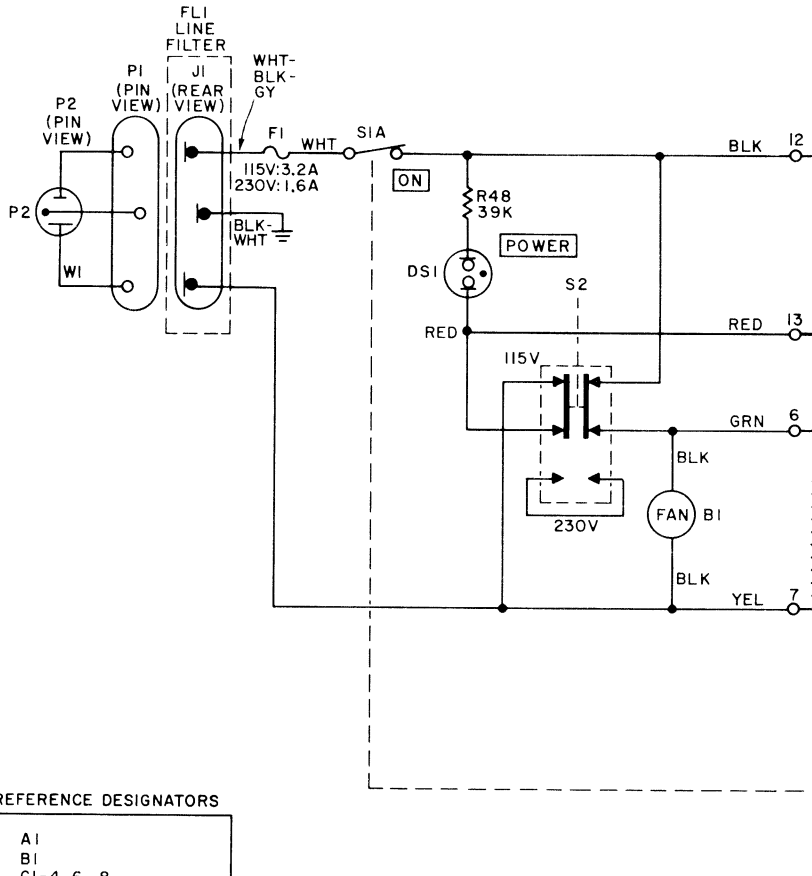
Figure 5-12. Typical Waveforms (see Schematic and Schematic Notes)

**—SCHEMATIC DIAGRAM NOTES—**

1. Except as indicated: capacitance in microfarads; inductance in microhenries; resistance in ohms.
2. Touching test probe at this point causes transient pulse and OVERLOAD indication. To avoid: turn power off, attach test probe, turn power on, and take measurement.
3. DC Voltage Measurement Conditions:
  - a. Set SLOPE, TRIGGER OUTPUT, and PULSE OUTPUT to -.
  - b. Set GATE INPUT switch to NORM.
  - c. Set PULSE ADVANCE/PULSE DELAY/DOUBLE PULSE to PULSE ADVANCE.
  - d. Set TRIGGER MODE to EXT.
  - e. Set all remaining switches, controls, and VERNIERS to 12 o'clock position (i.e. indicator on knob points toward top of front panel).
  - f. Voltages shown are typical values, may vary  $\pm 10\%$  from that shown. Voltages should be measured with a high impedance dc voltmeter.
4. Waveform Measurement Conditions:
  - a. Set SLOPE, TRIGGER OUTPUT, and PULSE OUTPUT to -.
  - b. Set GATE INPUT switch to NORM.
  - c. Set PULSE ADVANCE/PULSE DELAY/DOUBLE PULSE to PULSE ADVANCE.
  - d. Set TRIGGER MODE to INT.
  - e. Set all remaining switches, controls, and VERNIERS to 12 o'clock positions (i.e. indicator on knob points toward top of front panel).
  - f. Waveforms shown are typical and were measured using a 10:1 divider probe and the oscilloscope with plug-in units indicated in Table 5-2. Test points are indicated by number in triangle and keyed to Figure 5-12.
5. Schematics are drawn showing switches in following positions:
 

TRIGGER MODE .....	INT.
INT. REP. RATE .....	100-1K
ADVANCE, DELAY, DOUBLE .....	PULSE ADVANCE
PULSE POSITION .....	0-1
PULSE WIDTH .....	0.05-1
PULSE AMPLITUDE .....	100
6. P/O = Part of  
 $V_I$  = Isolated Voltage Supply
7. Switch sections are identified by letters following the schematic designator (e.g. S401C). Letters refer to a specific switch wafer, where A = front side of wafer nearest front panel, B = rear side of wafer nearest panel, C = front side of second wafer, etc.

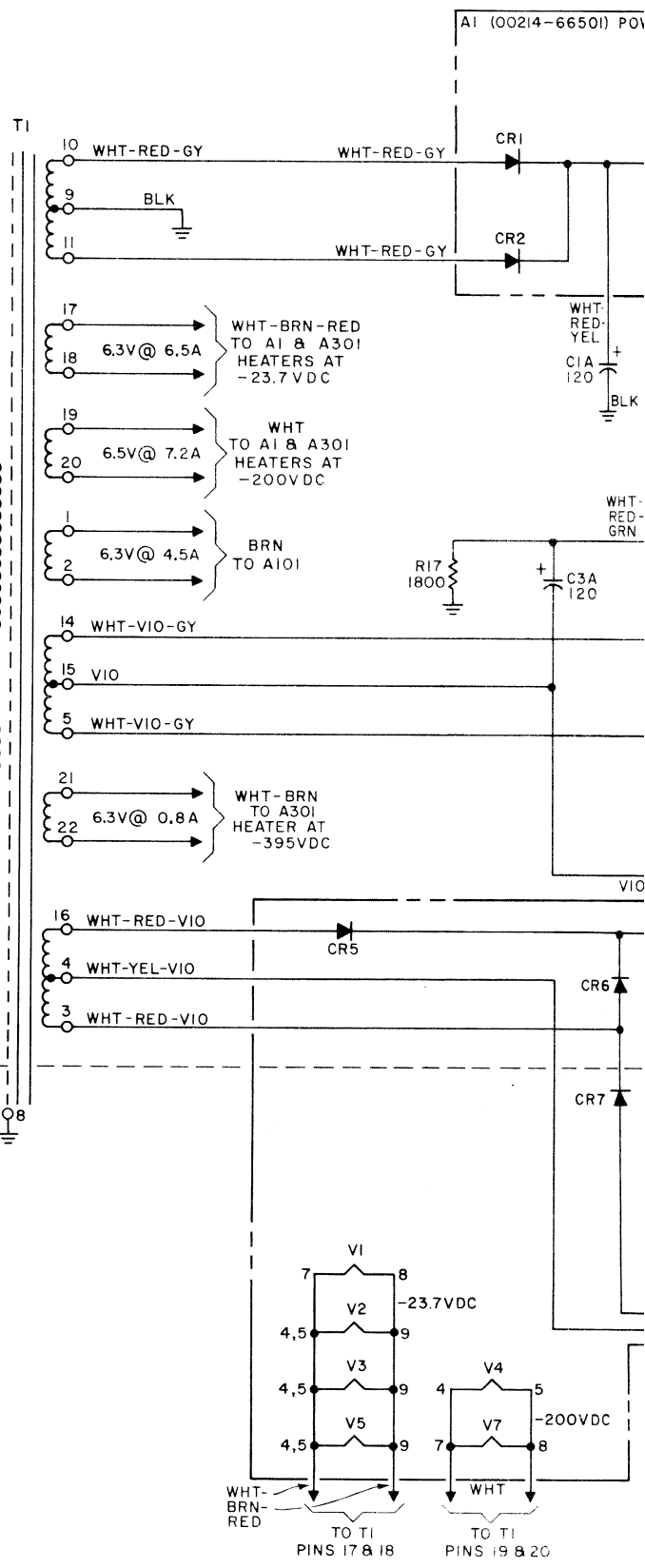
COPYRIGHT 1963 BY HEWLETT-PACKARD CO.  
214A - PWR SUP - 632



REFERENCE DESIGNATORS

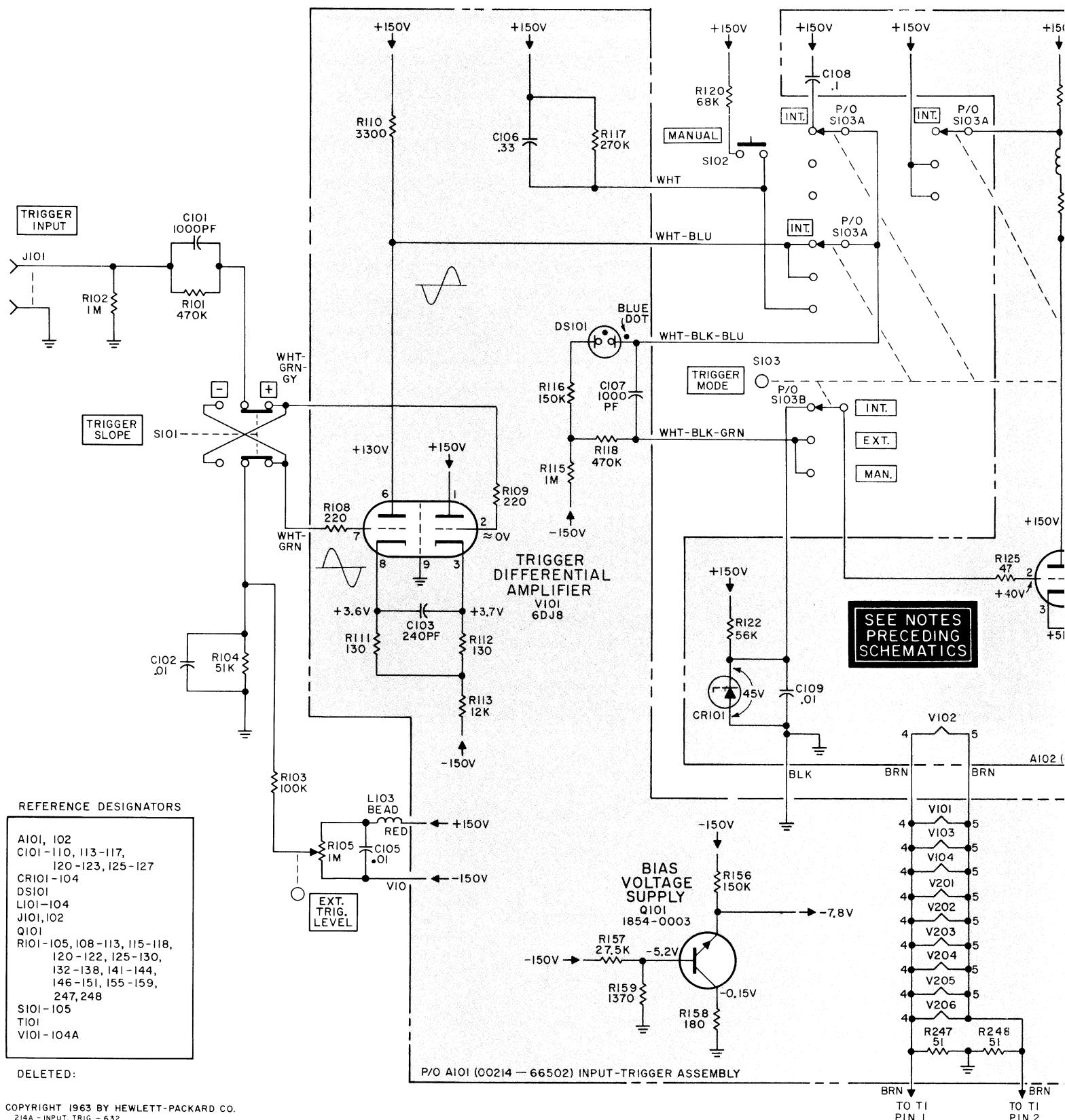
- A1
- B1
- CI-4, 6-8
- CR1-7
- DS1, 2
- FI
- FL1
- J1
- K1
- PI, 2
- RI-6, 8, 10-14, 16-18, 20-23, 25-27, 30-34, 36-39, 41, 42, 44-46, 48
- S1A, B, 2
- T1
- VI-8
- WI

DELETED:









- REFERENCE DESIGNATORS
- A101, 102
  - C101 - 110, 113 - 117, 120 - 123, 125 - 127
  - CR101 - 104
  - DS101
  - L101 - 104
  - J101, 102
  - Q101
  - R101 - 105, 108 - 113, 115 - 118, 120 - 122, 125 - 130, 132 - 138, 141 - 144, 146 - 151, 155 - 159, 247, 248
  - S101 - 105
  - T101
  - V101 - 104A
- DELETED:

SEE NOTES PRECEDING SCHEMATICS

Section V  
Figure 5-14

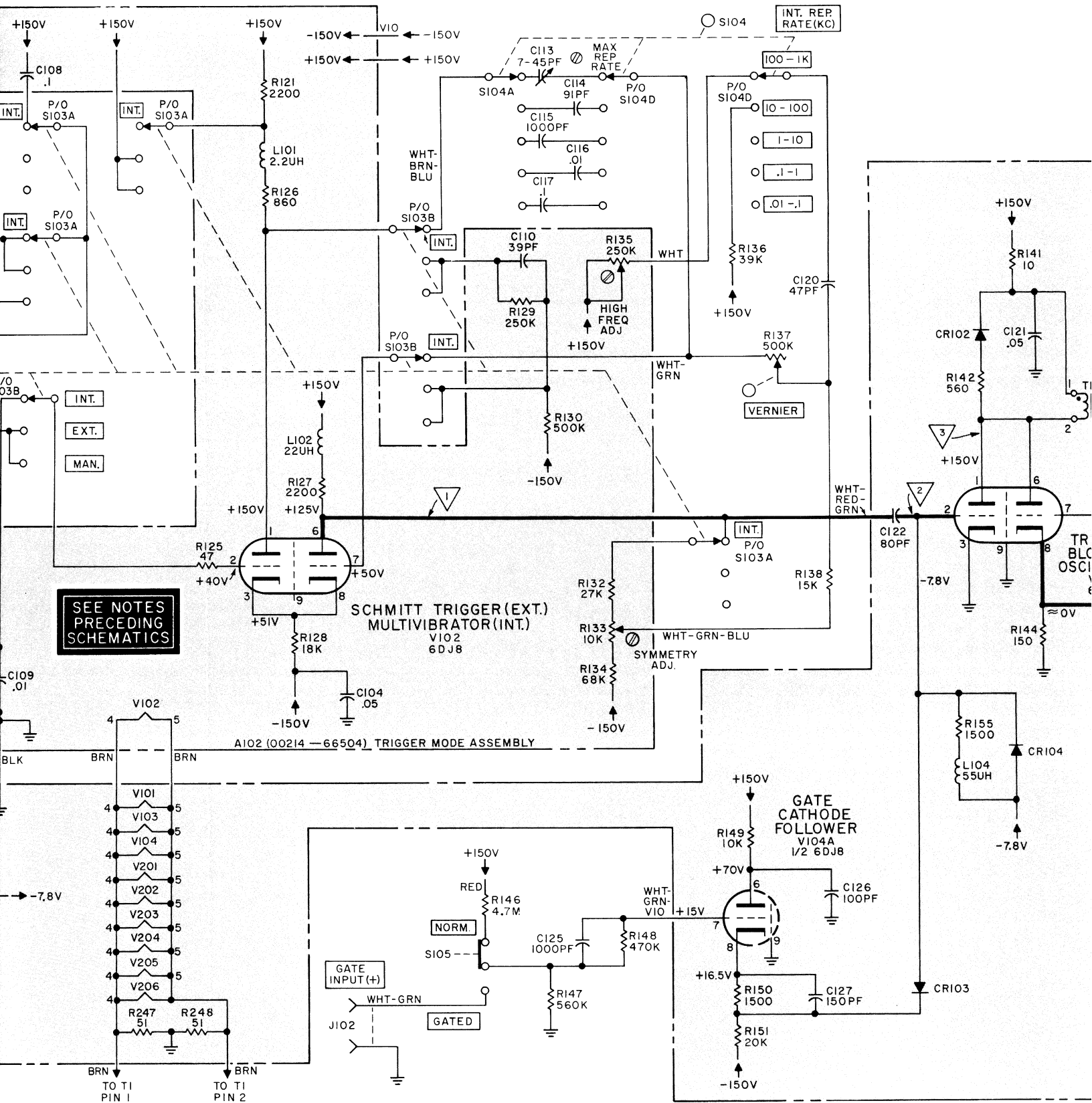


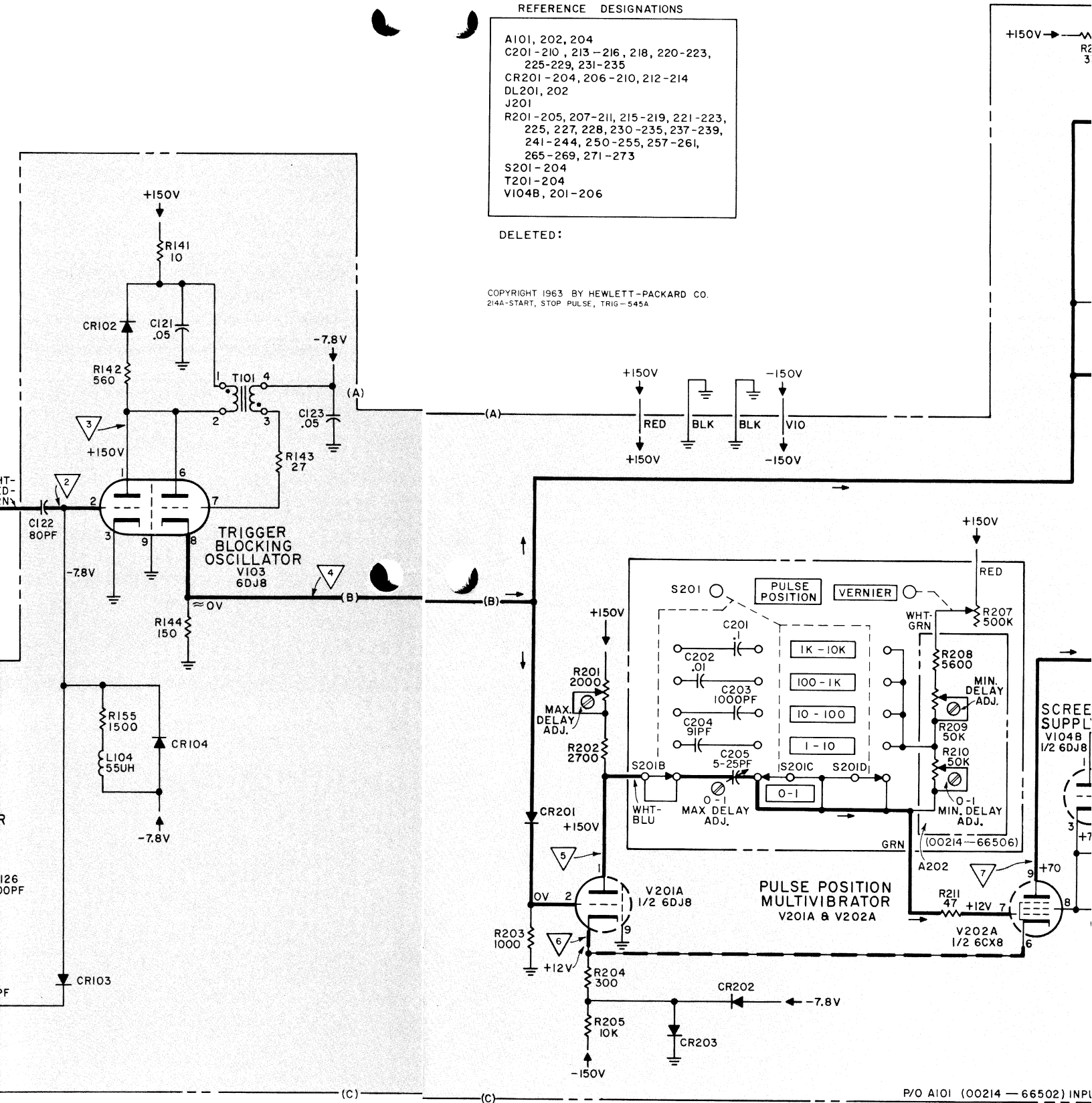
Figure 5-14. Trigger Input Circuit

REFERENCE DESIGNATIONS

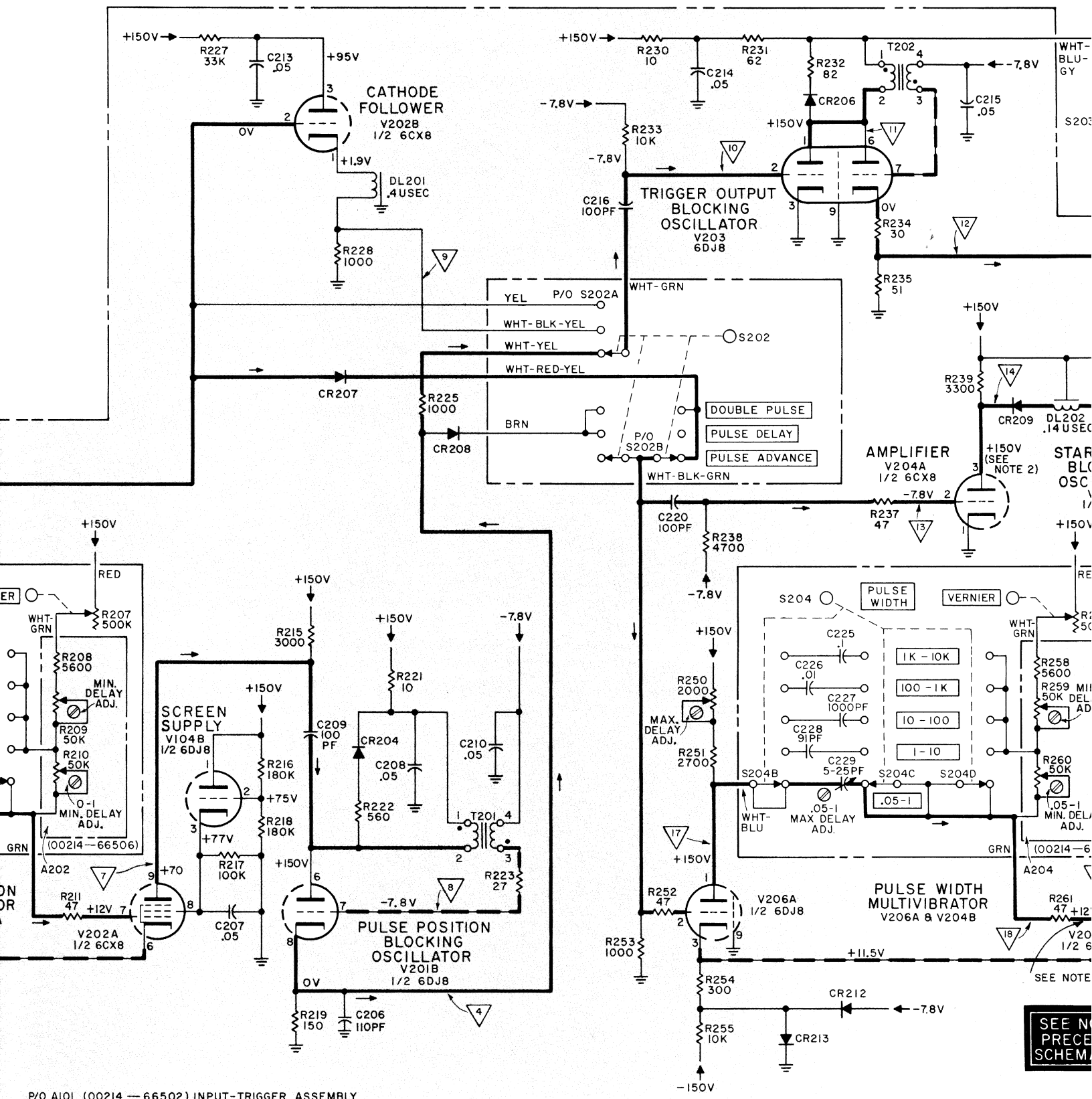
- A101, 202, 204
- C201 - 210, 213 - 216, 218, 220-223, 225-229, 231-235
- CR201 - 204, 206 - 210, 212-214
- DL201, 202
- J201
- R201 - 205, 207-211, 215 - 219, 221 - 223, 225, 227, 228, 230 - 235, 237 - 239, 241 - 244, 250 - 255, 257 - 261, 265 - 269, 271 - 273
- S201 - 204
- T201 - 204
- V104B, 201-206

DELETED:

COPYRIGHT 1963 BY HEWLETT-PACKARD CO.  
214A-START, STOP PULSE, TRIG-545A







P/O A101 (00214 - 66502) INPUT-TRIGGER ASSEMBLY

SEE NEXT PRECE SCHEM

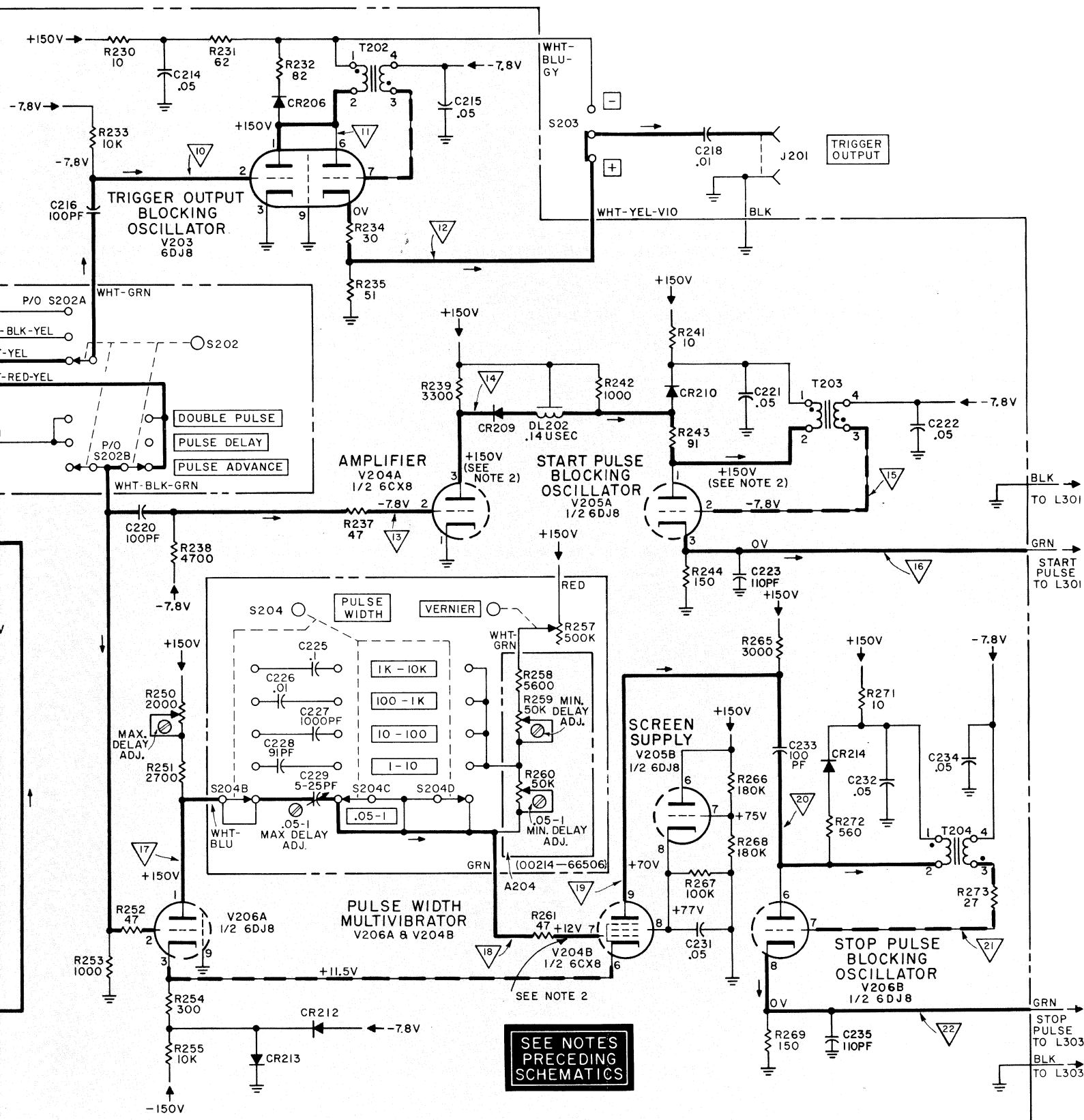


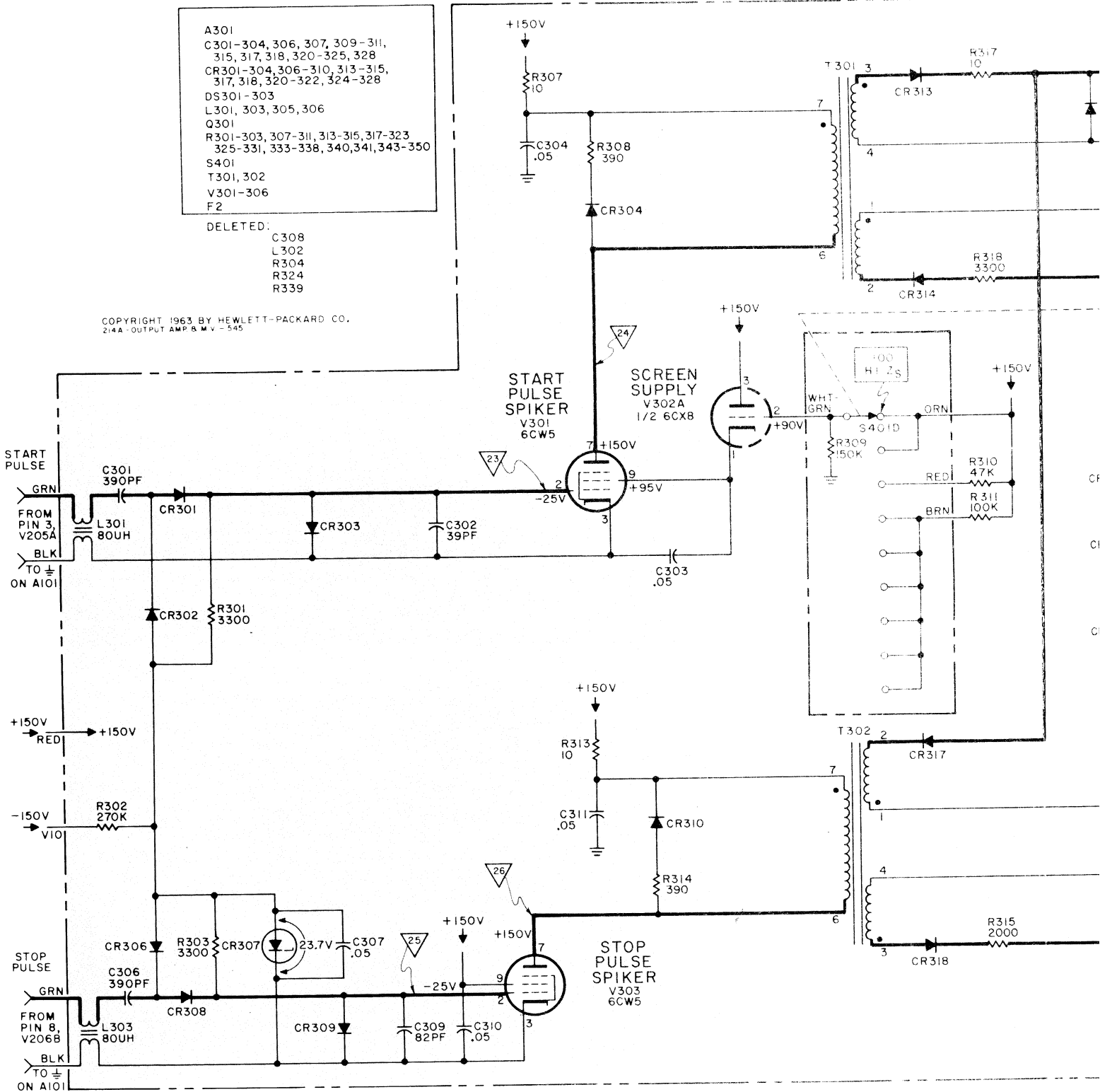
Figure 5-15. Pulse Control Circuit

REFERENCE DESIGNATIONS

A301  
 C301-304, 306, 307, 309-311,  
 315, 317, 318, 320-325, 328  
 CR301-304, 306-310, 313-315,  
 317, 318, 320-322, 324-328  
 DS301-303  
 L301, 303, 305, 306  
 Q301  
 R301-303, 307-311, 313-315, 317-323,  
 325-331, 333-338, 340, 341, 343-350  
 S401  
 T301, 302  
 V301-306  
 F2

DELETED:  
 C308  
 L302  
 R304  
 R324  
 R339

COPYRIGHT 1963 BY HEWLETT-PACKARD CO.  
 214A - OUTPUT AMP & M.V. - 545



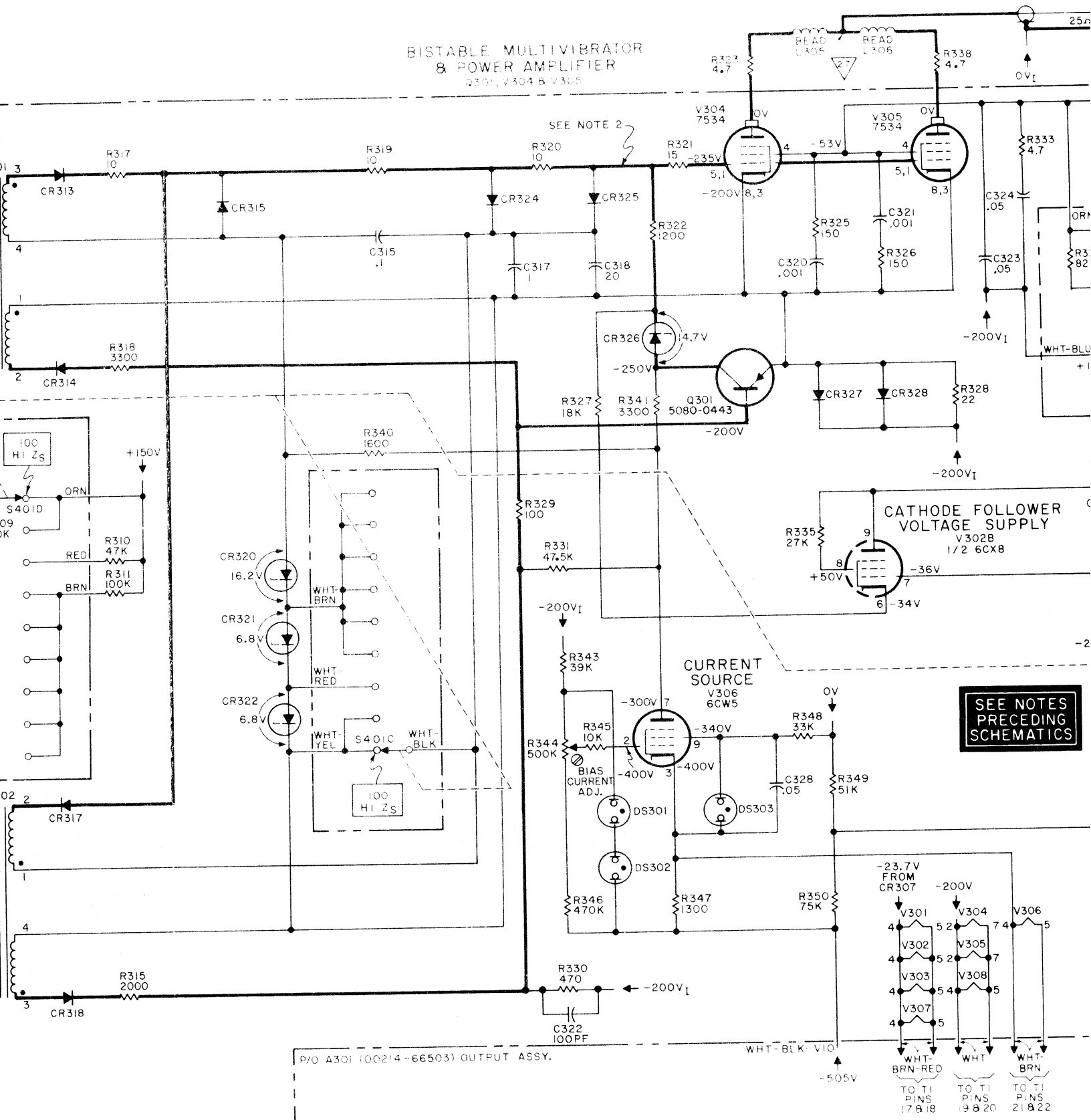
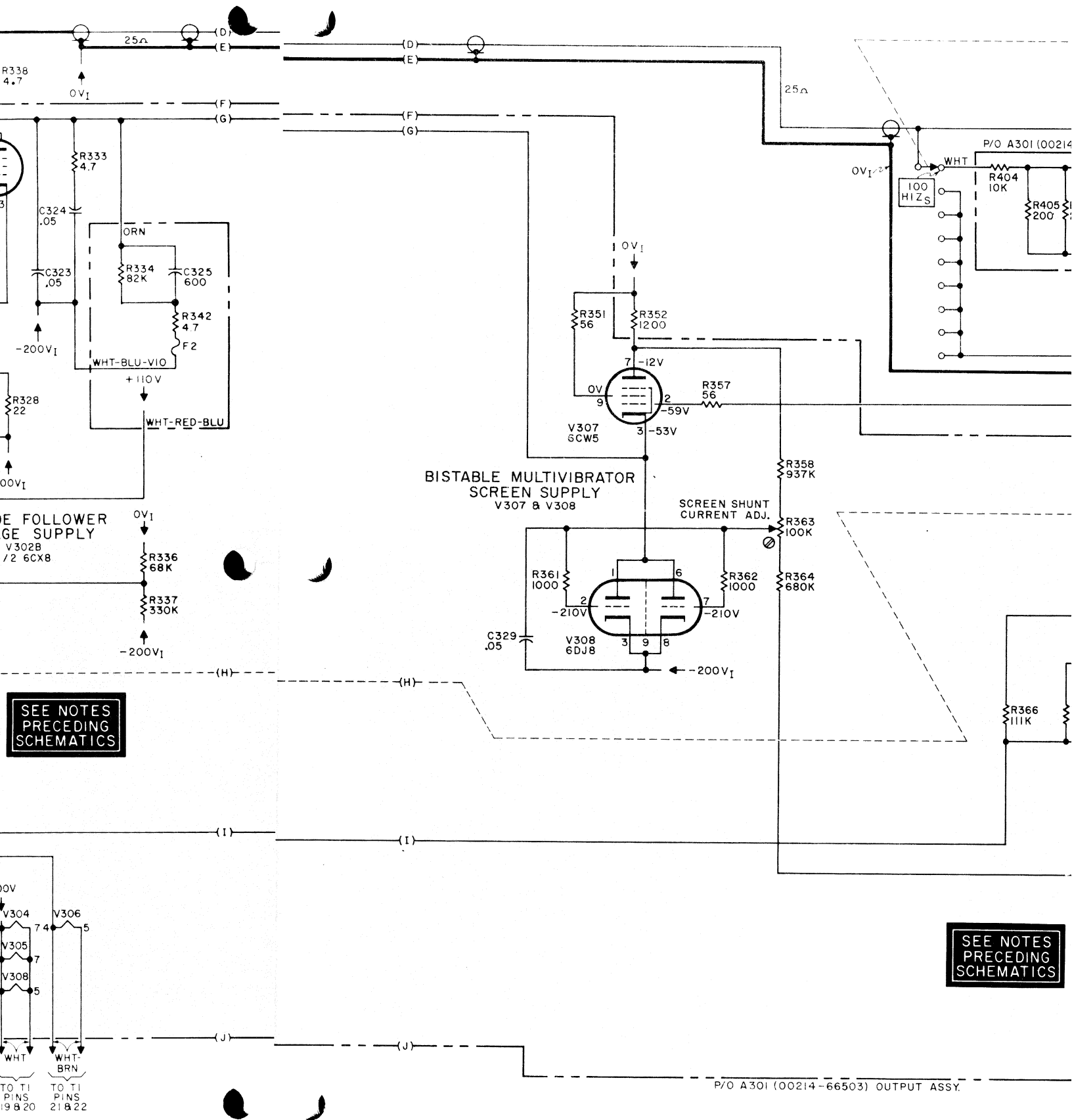
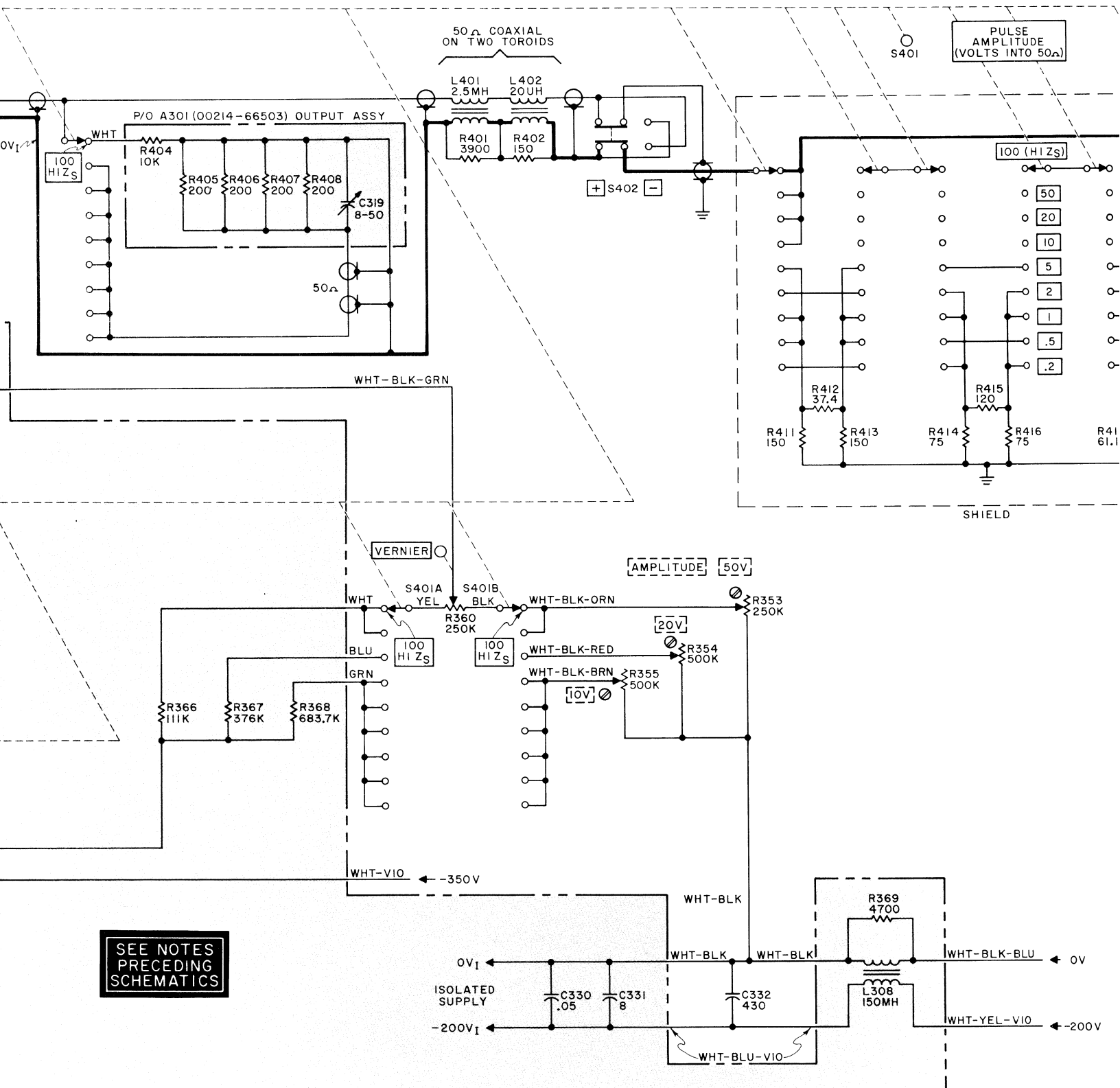
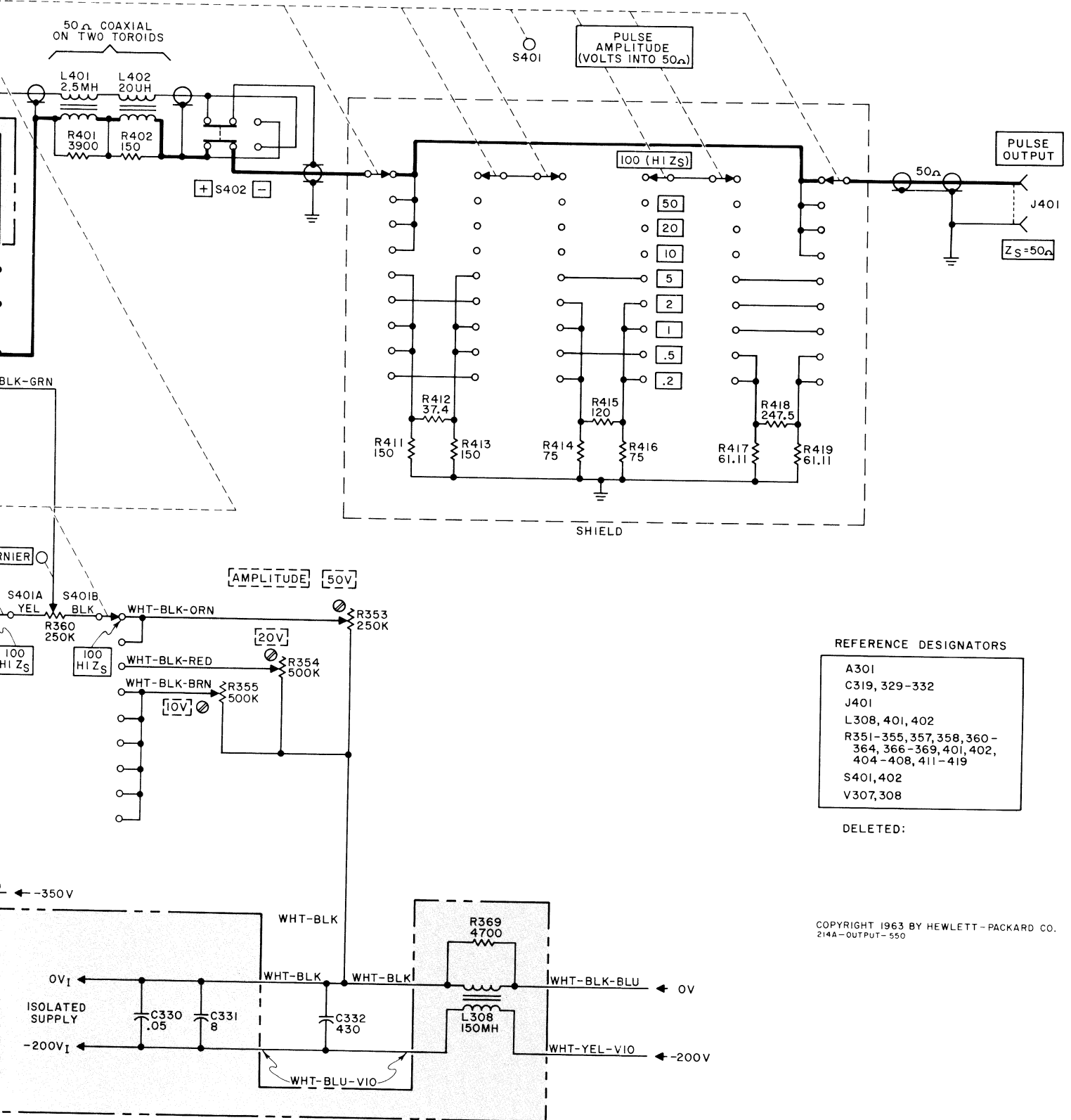


Figure 5-16. Start-Stop Pulse Circuit





503) OUTPUT ASSY.



REFERENCE DESIGNATORS

- A301
- C319, 329-332
- J401
- L308, 401, 402
- R351-355, 357, 358, 360-364, 366-369, 401, 402, 404-408, 411-419
- S401, 402
- V307, 308

DELETED:

COPYRIGHT 1963 BY HEWLETT-PACKARD CO.  
214A-OUTPUT-550

Figure 5-17. Output Circuit  
5-23/5-24